

## PANEL SEALED 5 AMP PUSHBUTTON SWITCHES

The ITW SA series pushbutton offers the utmost in choices of mounting style, button colours, terminations, bezels and lighting switching. These 5 AMP sealed switches have a positive snap action feel. Bushing mount or snap-in mounting available. They are ideal for rugged applications that good looks and long life.

# Series SA48



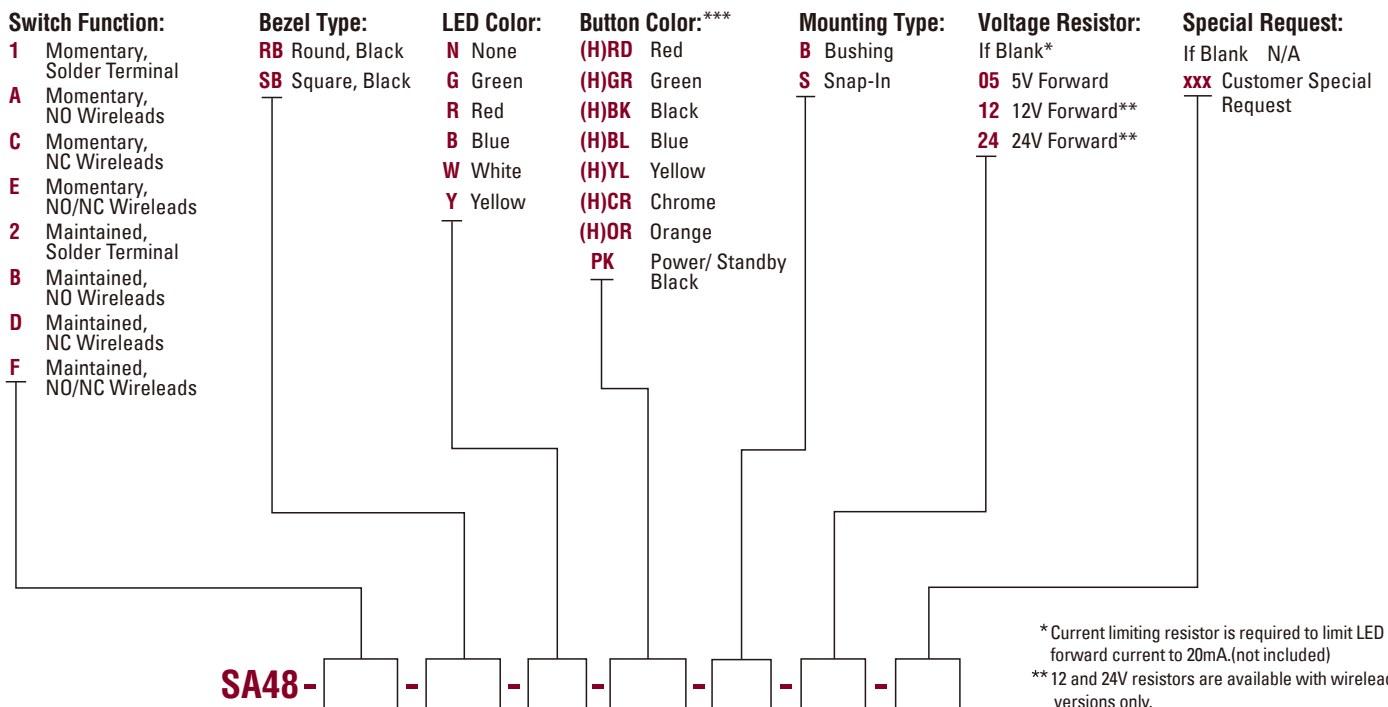
### KEY FEATURES:

Size	12mm
Current Rating	5A @ 28VDC
Mechanical Life	25k Cycle Nominal
Operating Temperature	-40° to +185°F [-40° to +85°C]
Circuitry	1NO/1NC
Ingress Protection	IP67 (Front Panel)
Standards	UL 61058 / IEC 61058
Snap Action	Momentary / Maintained
Illumination	Green/ Red/ Blue/ White/ Yellow

### APPLICATIONS

- Office equipment
- Medical equipment
- Industrial machinery
- Mass transportation
- Food processing equipment
- Outdoor Controls
- Joystick Control

### ORDERING INFORMATION:



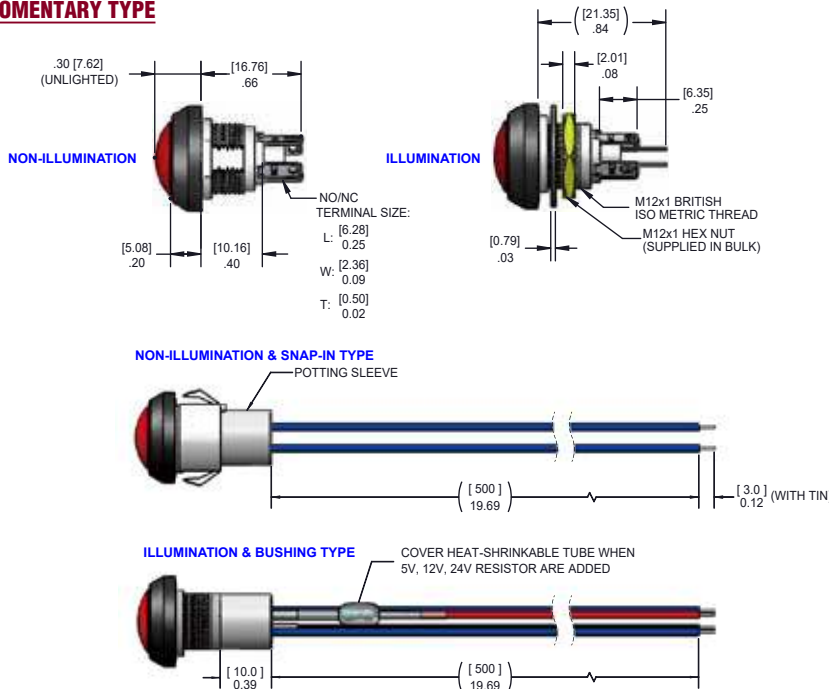
\* Current limiting resistor is required to limit LED forward current to 20mA.(not included)  
 \*\* 12 and 24V resistors are available with wirelead versions only.  
 \*\*\* (H) means High Button type.

## SERIES SA48: 12MM SEALED 5 AMP PUSHBUTTON SWITCHES

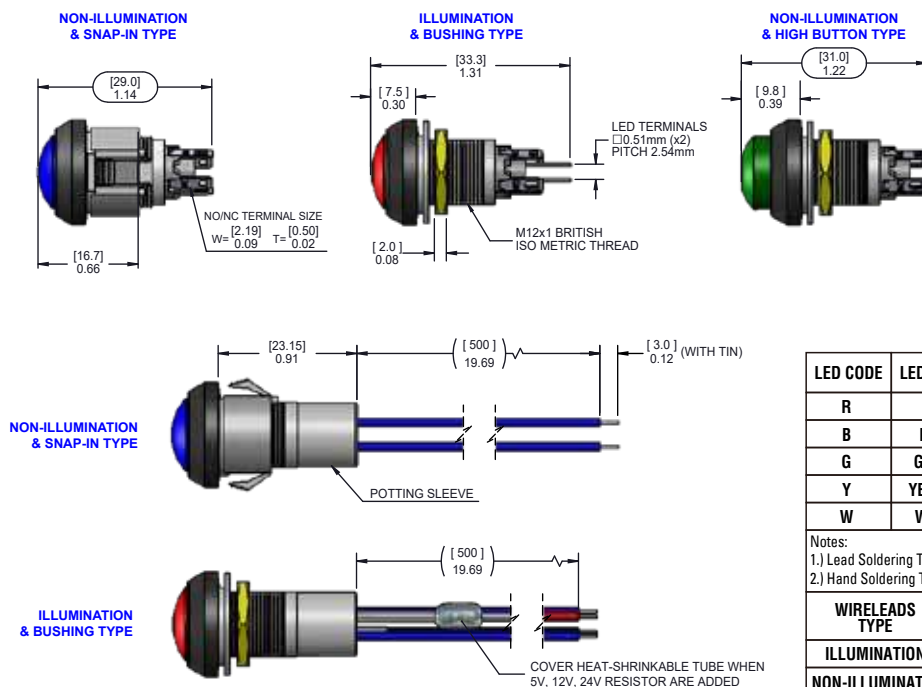
### PRODUCT DRAWINGS



### MOMENTARY TYPE



### MAINTAINED TYPE



### MECHANICAL / ELECTRICAL CHARACTERISTICS:

- Circuit:** SPDT-DB (Form X)
- Pretravel (Nominal):** 0.050 inches [1.27mm]
- Overtravel (Nominal):** 0.010 inches [0.25mm]
- Total Travel (Nominal):** 0.060 inches [1.52mm]
- Operating Force (Nominal):** 5.15N [525g]
- Release Force (Nominal):** 3.45N [340g]
- Panel Thickness:**
  - Bushing Mount: 0.020" - 0.118" [0.5 - 3.0mm]
  - Snap-In Mount: 0.051" - 0.118" [1.5 - 3.0mm]
- Contacts:** Silver
- Nut Torque Force:** Max 5.2 lb-in [6 kgf-cm]
- Actuator Ingress Protection:** IP67 (Front Panel)
- Operating Temperature:** -40° to +185°F [-40° to +85°C]
- Current Ratings (Nominal):**
  - 5A@ 28 VDC, 25k Cycles
  - 5A@ 125/250 VAC, 25k Cycles

### ELECTRO-MECHANICAL:

- Dielectric Strength:** 1,000 VAC
- Insulation Resistance:** 1GΩ
- Contact Resistance:**
  - Max 50mΩ (Non-Wirelead)
  - Max 250mΩ (Wirelead)

LED CODE	LED COLOR	CIRCUITRY	V <sub>I</sub> (VDC)	I <sub>F</sub> (mA)
R	RED		1.8-2.5	20
B	BLUE		2.8-3.5	20
G	GREEN		2.8-3.5	20
Y	YELLOW		1.8-2.5	20
W	WHITE		2.8-3.5	20

Notes:  
 1.) Lead Soldering Temperature (4mm above from body): 280°C for 5 seconds  
 2.) Hand Soldering Temperature (4mm above from body): 320°C for 3 seconds

WIRELEADS TYPE	WIRELEADS SPECIFICATION	SW TERMINAL		LED	
		NO	NC	+	-
ILLUMINATION	AWG24 / UL1007	BLUE	YELLOW	RED	BLACK
NON-ILLUMINATION		BLUE	YELLOW	-	-