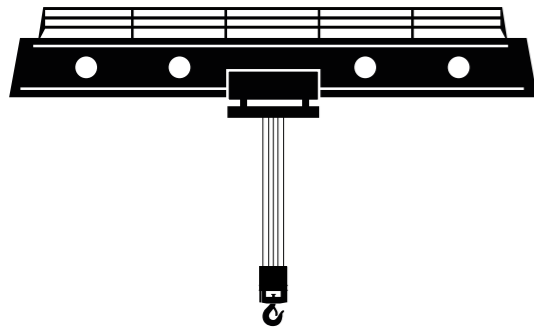


HP07

Pendant control station



CRANE

Ergonomic pendant control station with seven holes for crane

Features

- Bi-directionality is mechanically interlocked;
- IP65 Double insulation (IEC / EN 60529);
- Laser engraved symbols according to EN 60204-1, FEM 9.941;
- Shock proof and heat resistant;
- Available versions: for single or double speed motors;
- Available with UL/CSA requirements;
- Available upon request also in V0 material, UL approved.

Available codes

HP07 Single speed	NC	NO	NO	NO	NO	NO	NO						
HP07.D2 Single/double speed	NC	NO	NO		NO	NO		NO+NO	NO+NO				
HP07.D4 Single/double speed	NC	NO	NO					NO+NO	NO+NO	NO+NO	NO+NO		
HP07.D6 Double speed	NC							NO+NO	NO+NO	NO+NO	NO+NO	NO+NO	NO+NO

Compliance and certifications

- 2014/35/UE
- 2011/65/UE RoHS
- EN 60947-1 (2007/A1 : 2011/A2 : 2014)
- EN 60947-5-1 (2004/A1 : 2009/AC : 2004/AC : 2005 EN ISO 13850 2015)
- EN 60204-1 (2006/A1 : 2009)
- EN-ISO 13849-1 (2015)
- EN ISO 13849-2 (2012)
- EN 60529 (1991/A1 : 2000/A2 : 2013)

Technical data

General characteristics		
Compliant to standards		IEC / EN60947-5-1
Material		ABS
Material Group		II
Pollution class		3
Temperature	operating storage	-25°C ... +70°C -30°C ... +70°C
Climate resistance	IEC68 part 2-3 IEC68 part 2-30	hot dump unsettled hot damp
Cable entry		Cable gland M25

Electrical characteristics - Contact blocks

Marking							
Rated insulation voltage [Ui]		690 V *					
Rated impulse withstand voltage [Uimp]		4 kV *					
Frequency		50/60 Hz *					
Rated thermal current [Ith]		16 A *					
Rated thermal current in enclosure [Ithe]		10 A					
Rated operational current [Ie]							
AC-15 alternate current	type: PCW..	24 V	16 A *	60 V	12 A	110 V	5 A
		240 V	5 A *	400 V	4 A	440 V	4 A
		500 V	4 A *	690 V	2 A		
DC-13 direct current	type: PCW..	24 V	2 A	48 V	2 A *	60 V	1 A *
		110 V	0.4 A	250 V	0.4 A *		
Minimum constant current		1 mA@5Vdc, 1 mA@24Vdc					
Conditional short circuit withstand current		1000 A *					
Fuses rating gC		10 A * - 500 V					
Contact insulation resistance		≤ 25 mΩ					
Switching mechanism	type: PCW..	slow break double gap contacts					
Positive operation		NC contact blocks - positive opening					
Operating force		4 N					
Electric durability AC-15		1 A	1.5 millions of cycles	2 A	0.5 millions of cycles	3 A	0.25 millions of cycles
Terminal type	type: PCW..	M3.5 screw terminals					
Terminal capacity	type: PCW..	N° 1 or 2 flexible and solid conductor 1 ... 2.5 mm²					

UL508 characteristics

Rated insulation voltage [Ui]		10 A - 600 V ac / 2.5 A - 125 V dc
Rated impulse withstand voltage [Uimp]		A600-Q600

* IMQ approved values



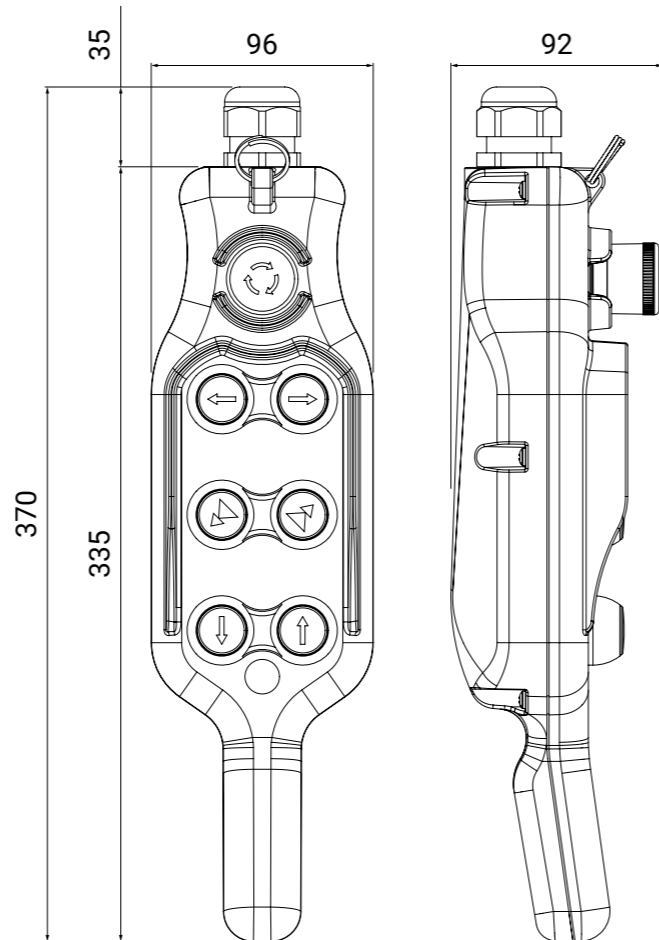
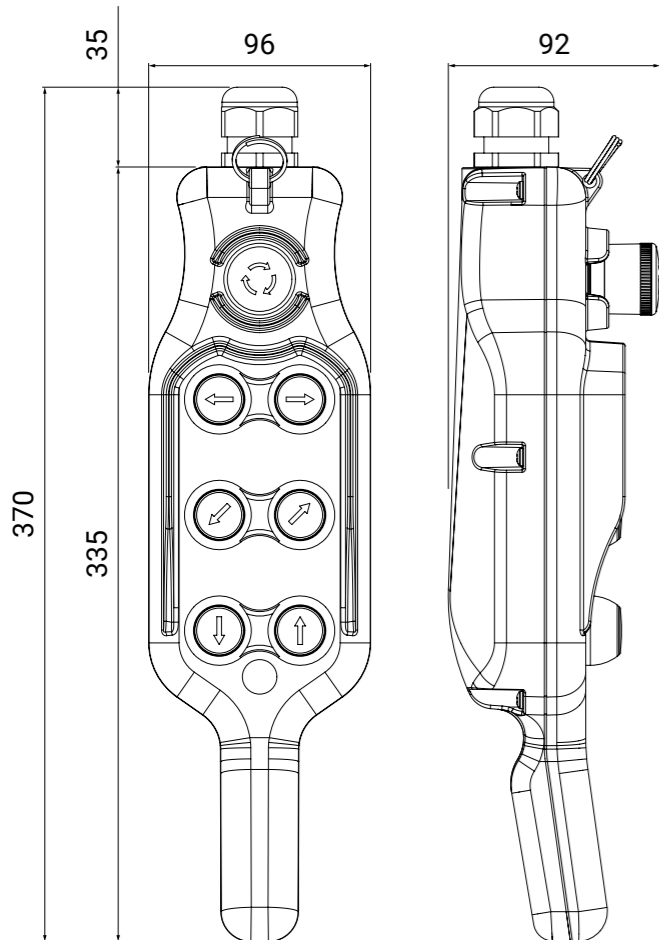


Available codes



HP07

HP07.D2

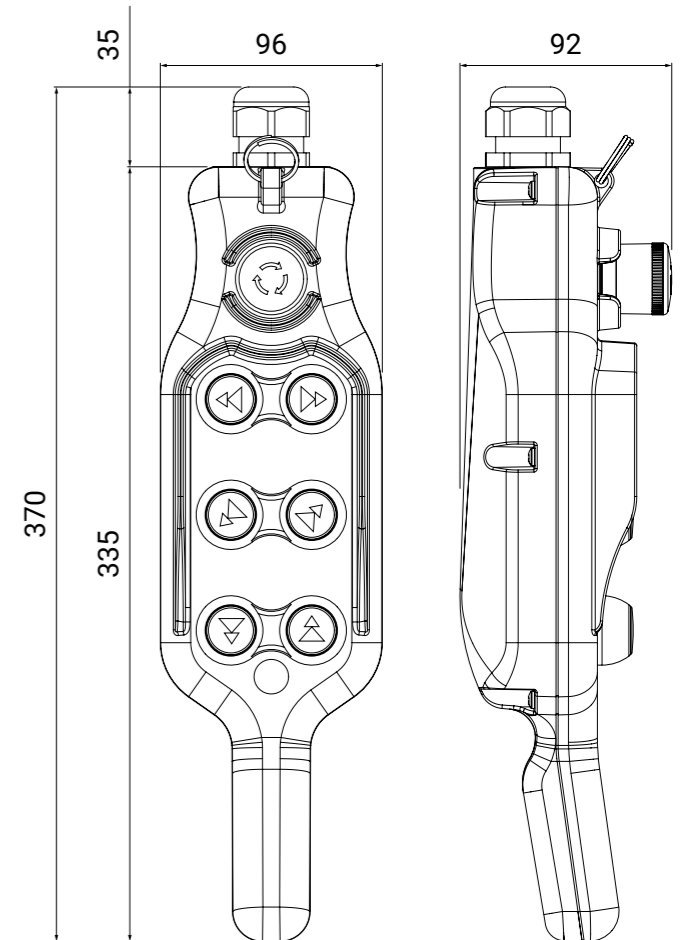
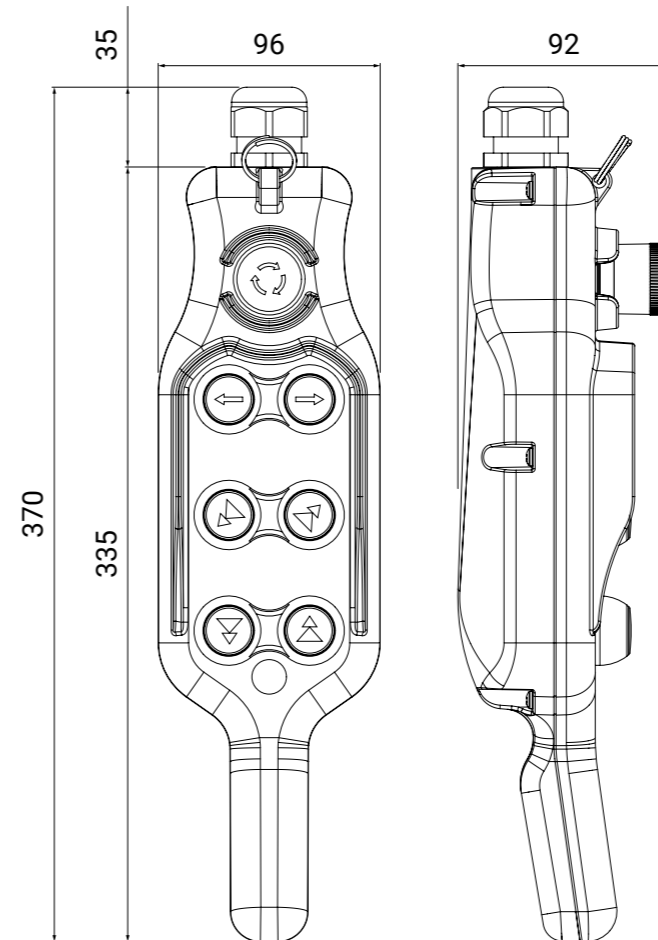


Available codes



HP07.D4

HP07.D6



Standard versions

PRODUCT CODE	FUNCTION	LAYOUT	PUSH BUTTON	CONTACT CONFIGURATION
HP07	Single speed			1 NC
				1 NO
				1 NO
				1 NO
				1 NO
				1 NO
				1 NO
			HP07.D2	Single/Double speed
	1 NO			
	1 NO			
	NO + NO			
	NO + NO			
	1 NO			
	1 NO			

CONTACT CODE
Single speed
1 NC PCW01
1 NO PCW10
Double speed
NO + NO PCWDS

Standard versions

PRODUCT CODE	FUNCTION	LAYOUT	PUSH BUTTON	CONTACT CONFIGURATION
HP07.D4	Single/Double speed			1 NC
				1 NO
				1 NO
				NO + NO
				NO + NO
				NO + NO
				NO + NO
			HP07.D6	Double speed
	NO + NO			
	NO + NO			
	NO + NO			
	NO + NO			
	NO + NO			
	NO + NO			

CONTACT CODE
Single speed
1 NC PCW01
1 NO PCW10
Double speed
NO + NO PCWDS