

Security pushbutton switches • Ø22mm • NO • illuminated

## 🏆 DISTINCTIVE FEATURES

wide actuating area  
momentary action  
NO contact  
3A @ 220 V  
Illuminated versions  
specific wiring upon request  
IP67  
IK10



## 🔌 ELECTRICAL SPECIFICATIONS

Max voltage : 250 V  
Max current/voltage with resistive load :  
3 A @ 220Vac / 5A @ 24 Vdc  
Initial contact resistance : 50 mΩ max  
Insulation resistance : 1000 MΩ mini at 500Vdc  
Electrical life : 100.000 cycles at full load  
Dielectric strength : 1000 VAC, 50Hz, 50 seconds  
LED life : 40.000 hours

## ⚙️ ENVIRONMENTAL SPECIFICATIONS

Operating temperature = from -30°C to +85°C  
IK10 compliant  
Ingress Protection to IP67  
Compliant with IEC60947-5-1 standard  
Compliant with GB14048.5 standard

## ⚙️ MECHANICAL SPECIFICATIONS

Actuation force : from 2 to 5 Newtons  
Travel : from 1.5mm to 2.5mm  
Mechanical life : 1.000.000 cycles minimum  
Switchbase material : PA66G30  
Body material : see *Build your part number* section  
Button material : see *Build your part number* section  
Contact material : silver plated

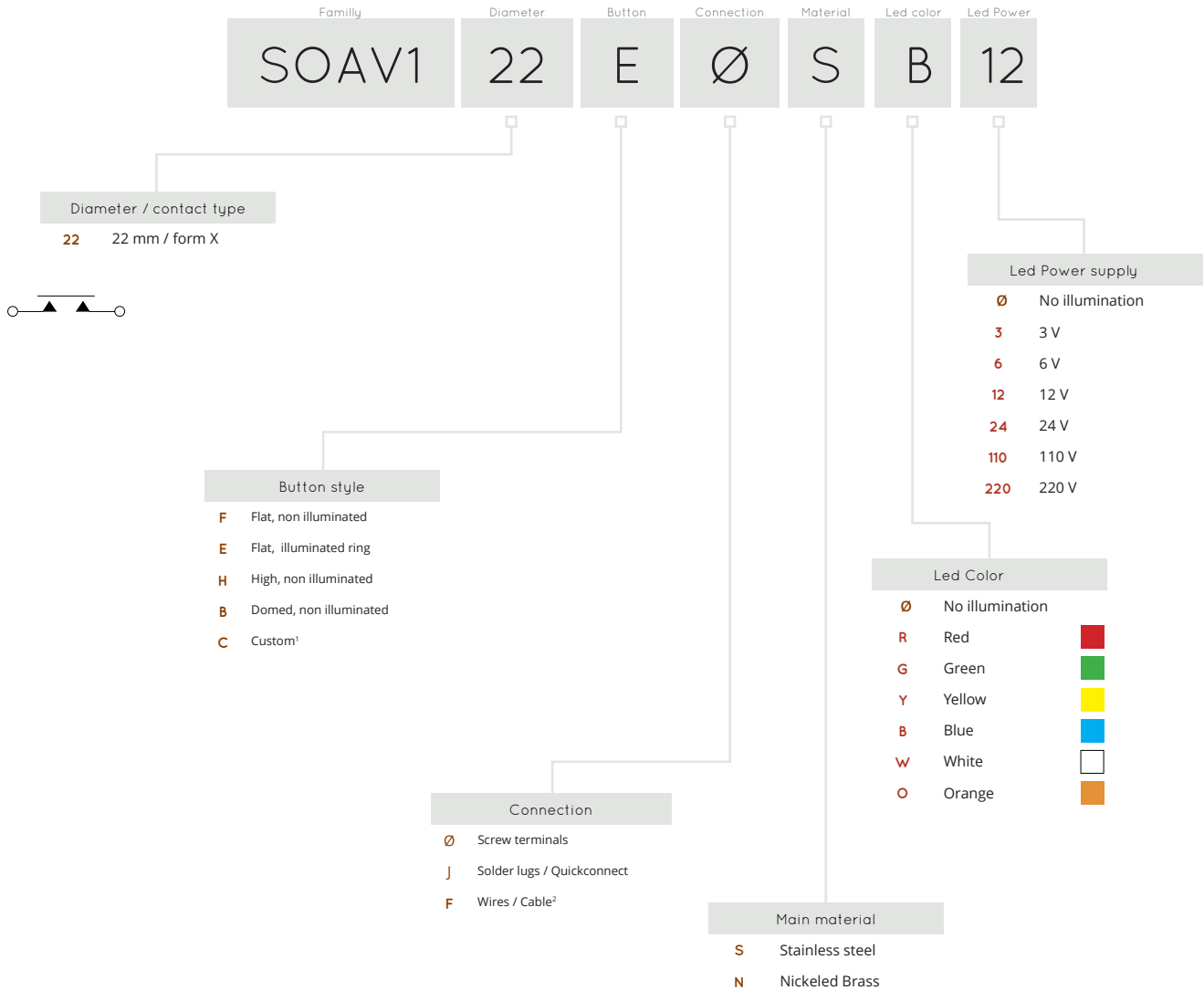
## ☰ GENERAL SPECIFICATIONS

Typical drilling diameter : 22.5mm  
Panel thickness : 14mm max.  
Minimum pitch for matrix installation : 24 x 24 mm  
Hand soldering : 300°C max. during 5 seconds


# SOAV122 series

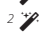
Security pushbutton switches • Ø22mm • NO

## BUILD YOUR PART NUMBER



## ABOUT THIS SERIES

<sup>1</sup>  U.DESIGN service: custom button design on request, custom marking and custom illuminated logo on request.

<sup>2</sup>  U.DESIGN service : custom wiring and harness on request.

Our pushbutton switches are delivered with their nickel plated brass hex nuts as well as their gasket.

 **Some configurations might not be available or submitted to M.O.Q.**

FOR ALL YOUR SPECIFIC REQUESTS, PLEASE WRITE :  
SALES@KYNOPPE.COM

# SOAV122 series

Security pushbutton switches • Ø22mm • NO

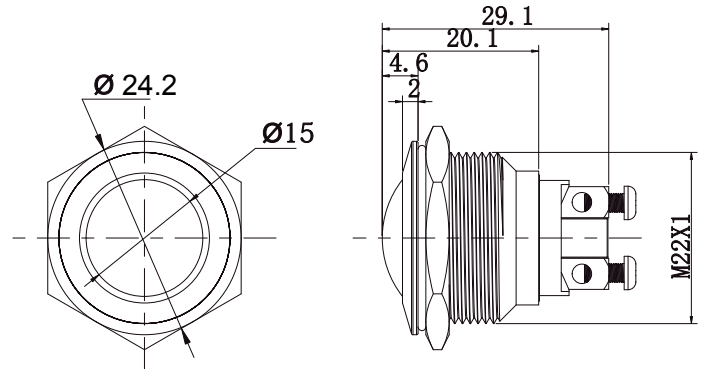
## CONFIGURATION EXAMPLES

### DOMED BUTTON - NON ILLUMINATED - SCREW TERMINALS



**SOAV122B0S00**

stainless steel

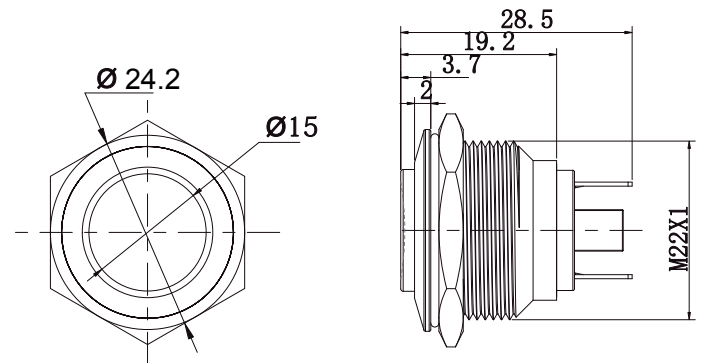


### HIGH BUTTON - NON ILLUMINATED - SOLDER TERMINALS



**SOAV122FJN00**

Nickeled brass



### FLAT BUTTON - ILLUMINATED RING - SCREW TERMINALS



**SOAV122E0S••**

stainless steel

\* please choose LED color and voltage in Build your part number section,

