

Series SA50

PANEL SEALED 5 AMP PUSHBUTTON SWITCHES

The ITW SA50 series pushbutton offers the utmost in choices of button colours and lighting switching. These 5 AMP sealed switches have a positive snap action feel. They are ideal for rugged applications that good looks and long life.



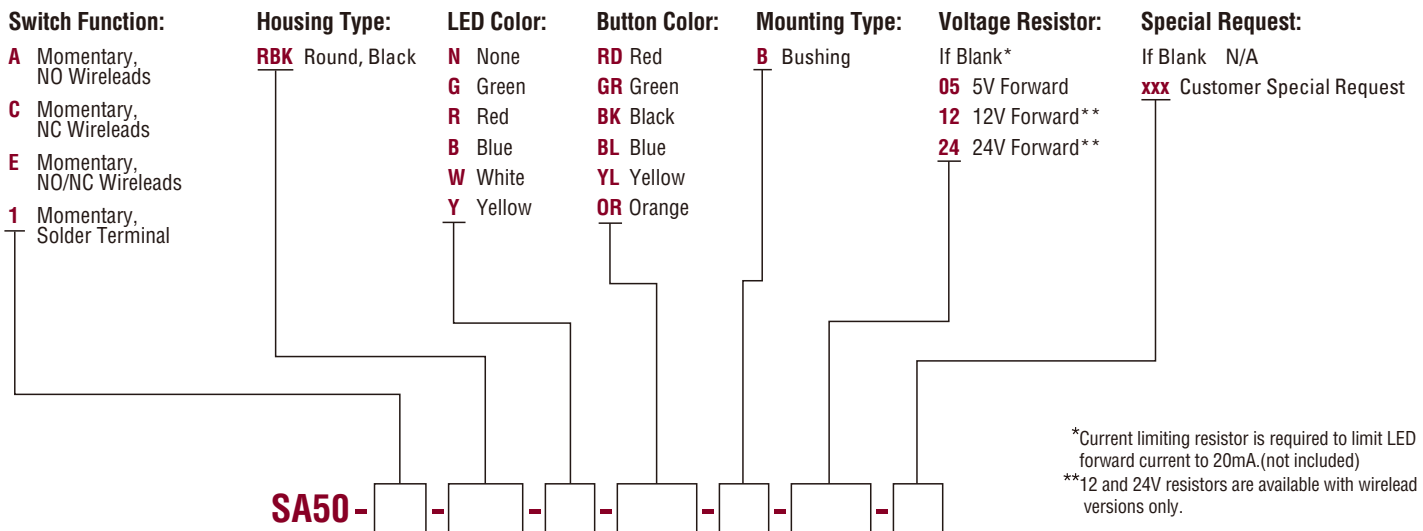
KEY FEATURES:

Size	16mm
Current Rating	5A @ 28VDC
Mechanical Life	25k Cycle Nominal
Operating Temperature	-40° to +185°F [-40° to +85°C]
Circuitry	1NO/1NC
Ingress Protection	IP67 (Front Panel)
Standards	UL 61058 / IEC 61058
Snap Action	Momentary
Illumination	Green/ Red/ Blue/ White/ Yellow

APPLICATIONS

- Office equipment
- Medical equipment
- Industrial machinery
- Mass transportation
- Food processing equipment
- Outdoor Controls
- Joystick Control

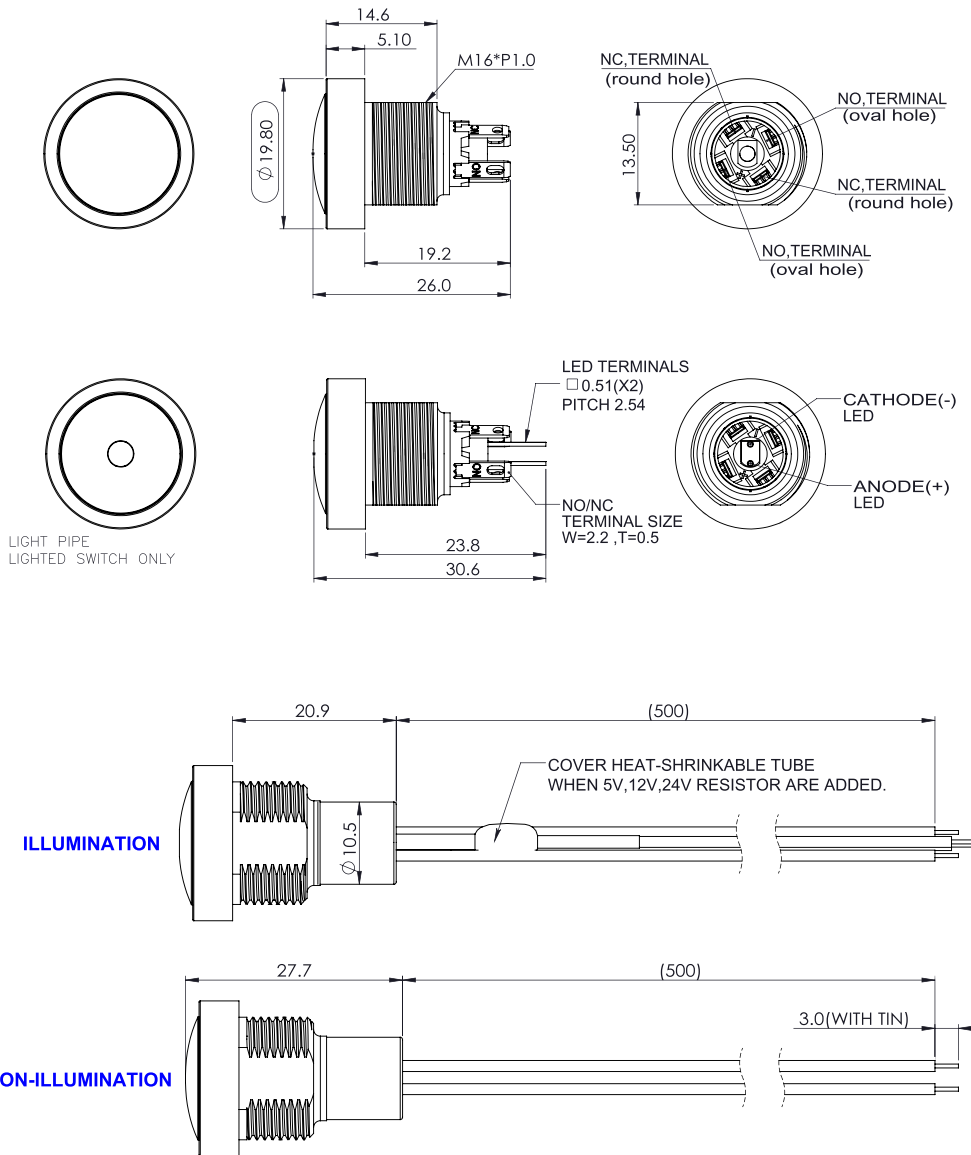
ORDERING INFORMATION:



*Current limiting resistor is required to limit LED forward current to 20mA, (not included)
 **12 and 24V resistors are available with wirelead versions only.

SERIES SA50: PANEL SEALED 5 AMP PUSHBUTTON SWITCHES

PRODUCT DRAWINGS



MECHANICAL / ELECTRICAL CHARACTERISTICS:

- Circuit:** SPDT-DB (Form X)
- Pretravel (Nominal):** 0.050inches [1.27mm]
- Overtravel (Nominal):** 0.010inches [0.25mm]
- Total Travel (Nominal):** 0.060inches [1.52mm]
- Operating Force (Nominal):** 5.15N [525g]
- Release Force (Nominal):** 3.45N [340g]
- Panel Thickness:** Bushing Mount: 0.020" - 0.118" [0.5 - 3.0mm]
- Contacts:** Silver Plated
- Nut Torque Force:** Max 5.2 lb-in [6 kgf-cm]
- Actuator Ingress Protection:** IP67 (Front Panel)
- Operating Temperature:** -40°F to +185°F [-40°C to +85°C]
- Life, Mechanical (Nominal):** 1,000,000 Cycles
- Current Ratings (Nominal):** 5A@ 28 VDC

ELECTRO-MECHANICAL:

- Dielectric Strength:** 1,000 VAC
- Insulation Resistance:** 1GΩ
- Contact Resistance:** Max 50mΩ (Non-Wirelead) Max 250mΩ (Wirelead)

LED SPECIFICATIONS

LED SPECIFICATION				
LED CODE	LED COLOR	CIRCUITRY	V _i (VDC)	I _f (mA)
R	RED		1.8-2.5	20
B	BLUE		2.8-3.5	20
G	GREEN		2.8-3.5	20
Y	YELLOW		1.8-2.5	20
W	WHITE		2.8-3.5	20

Notes:
 1. Lead Soldering Temperature (4mm above from body): 280°C for 5 seconds
 2. Head Soldering Temperature (4mm above from body): 320°C for 3 seconds

WIRELEADS TYPE	WIRELEADS SPECIFICATION	SW TERMINAL	SW TERMINAL	LED COLOR	
		NO	NC	+	-
ILLUMINATION	AWG24 / UL1007	BLUE	YELLOW	RED	BLACK
NON-ILLUMINATION		BLUE	YELLOW	-	-

Designs and specifications are subject to change without notice due to product improvement.