

# FCP245

## Position limit switch

### Position limit switch

The **FCP245 position limit switch** is used to control several handling systems:

- **Bridge cranes:** the limit switch controls the operating system, for example a PLC, and allows the bridge crane to slow down or stop.
- **Hoists:** the limit switch is used to stop the hoist whenever it reaches a limit position.

### Features

- Designed to guarantee excellent performance in the most challenging operating conditions.
- Arranged with 4 fixing holes.
- Positive opening NC contacts for safety functions.
- IP65 protection degree.
- Aluminium rod and lever, enclosure in thermoplastic material.
- Equipped with lever with 50° movements and spring return.
- Arranged for 2 outputs for cable clamps to reduce installation time and make wiring easier.

### Compliance and certifications

- 2014/35/UE - 2011/65/UE - 2015/863/UE
- EN 60947-1 (2007/A1 : 2011/A2 : 2014)
- EN 60947-3 (2009/A1 : 2012/A2 : 2015)
- EN 60204-1 (2006/A1 : 2009)
- EN 60529 (1991/A1 : 2000/A2 : 2013)
- EN 50581 (2012)
- IEC 63000 (2016)



### Available codes

**FCP245**

Single speed

3 positions with spring return

With mechanical interlock

contacts

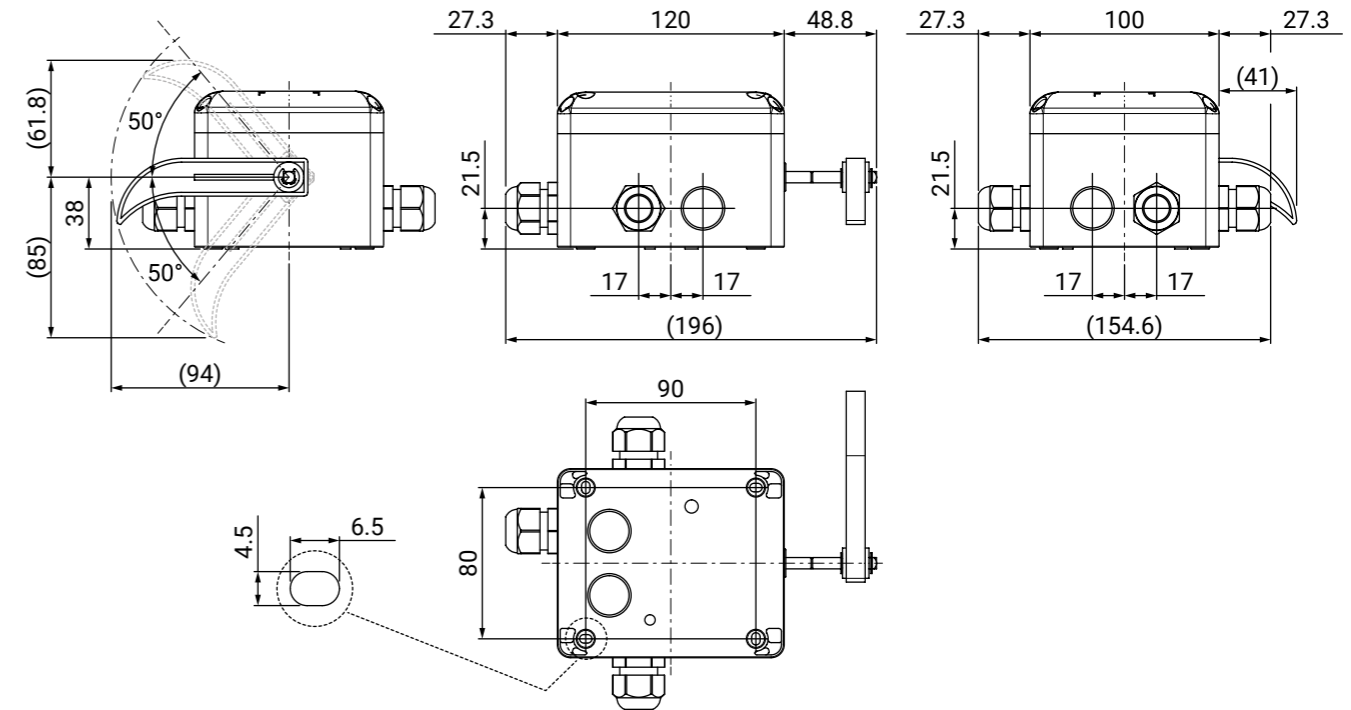
3 - 4			
1 - 2			
	- 50°	0	+ 50°
	positions		



**FCP245**  
Internal  
cam switch  
CX40 line

■ contact open      ■ contact close

Other configurations on request.



POSITION LIMIT SWITCHES