



**GIOVENZANA**  
INTERNATIONAL B.V.

**PHOENIX CAM SWITCHES**  
**ACCESSORIES**



**PHOENIX CAM SWITCHES | ACCESSORIES**

**KNOBS**



SERIES	COLOUR	DIMENSIONS	CODE	PROTECTION CLASS	
P012 ... 40 C025 ... 40	Black	ø40 x L50	072	IP40 *IP65 with gasket	
	Red	ø40 x L50	073	IP40 *IP65 with gasket	
	Black	ø44 x L68	081	IP40 *IP65 with gasket	
	Red	ø44 x L68	110	IP40 *IP65 with gasket	
C063 ... 80	Black	ø50 x L68	218	IP40 *IP65 with gasket	
	Red	ø50 x L68	219	IP40 *IP65 with gasket	



SERIES	COLOUR	DIMENSIONS	CODE	PROTECTION CLASS	
P012 ... 40 C025 ... 40	Black	ø34	018	IP40 *IP65 with gasket	
	Red	ø34	111	IP40 *IP65 with gasket	
	Black	ø40	040	IP40 *IP65 with gasket	
	Red	ø40	112	IP40 *IP65 with gasket	



SERIES	COLOUR	DIMENSIONS	CODE	PROTECTION CLASS	
G125 G200	Black	ø50 x L115	460	-	
	Red	ø50 x L115	470	-	

All knobs are supplied with fixing screws.  
\* See gaskets to page 76.

**PHOENIX CAM SWITCHES | ACCESSORIES**
**PHOENIX CAM SWITCHES | ACCESSORIES**
**PROTECTIONS**

R		BOOT PROTECTION		SERIES	WAFER	DIAMETER	CODE
		P012	Max 3	65	11706031		
		P016					
P020							
		SERIES	WAFER	DIAMETER	CODE		
		C025	Max 3	85	20101005		
		C032					
C040							
SERIES	WAFER	DIAMETER	CODE				
P012	2	65	11702038				
P016							
P020							
SERIES	WAFER	DIAMETER	CODE				
C025	2	85	11706332				
C032							
C040							

R		SOFT BOOT PROTECTION		SERIES	WAFER	DIAMETER	CODE
		P012	Max 3	65	20101007		
		P016					
		P020					

**GASKETS IP65**

R				SERIES	CODE
		P012	2800012		
		P016			
		P020			
R				SERIES	CODE
		C025	15000015		
		C032			
		C040			
R				SERIES	CODE
		C063	15010016		
		C080			

**FIXING KEY**

R				FIXING KEY Ø 22,5 mm	
				PCF	

**SQUARE LONG DOORLOCK SHAFT**

B		□ 5 mm		SERIES	L/mm	CODE
		P012	185	20401089		
		P016				
		P020				
SERIES	L/mm	CODE				
C025	300	20401164				
C032						
C040						
SERIES	L/mm	CODE				
C063	300	20900046				
C080						

**PROTECTION/KNOB FOR DOORLOCK SHAFT □ 5mm**

B				SERIES	CODE
		⚙ For maintenance operation, used to control the switch while the door is open and give a protection against injury due to doorlock shaft.		12 ... 40	11706094

**BYPASS PROTECTIONS ø50 WITH LOCKING FACILITY**

R		SCREW FIXING				FIXING	CODE
				screw*	PPF3-4		
				ø22	PPF3-5		
				* Fixing screws are not supplied.			
				FIXING	CODE		
				screw*	PPF3-6		
				ø22	PPF3-7		
				* Fixing screws are not supplied.			
				FIXING	CODE		

**KT ADAPTOR PLATE IP65 □36 / □48**

R				SERIES	CODE
		⚙ Complete with gasket IP65 and fixing screw.		12 ... 40	KIT 36/48

**IP65 THERMOPLASTIC ENCLOSURES**

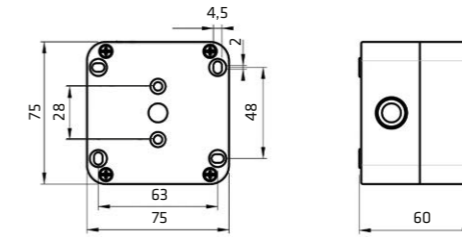


**PQCOGN**

IP65 □

- Flat cover
- Front knob
- **Dimensions:** 75x75x60 mm
- Black box - grey cover
- Cable entry: 1xM20 + 1xM16

SERIES	WAFER	CODE
P012	Max 2	PQCOGN
P016		
P020		

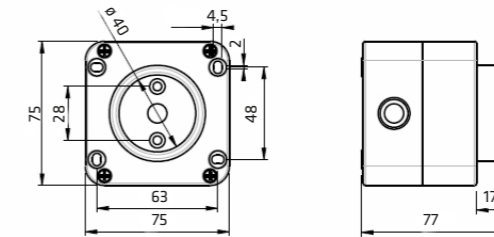


**PQCPCGN**

IP65 □

- Protected cover
- Front knob
- **Dimensions:** 75x75x60 mm
- Black box - grey cover
- Cable entry: 1xM20 + 1xM16

SERIES	WAFER	CODE
P012	Max 2	PQCPCGN
P016		
P020		

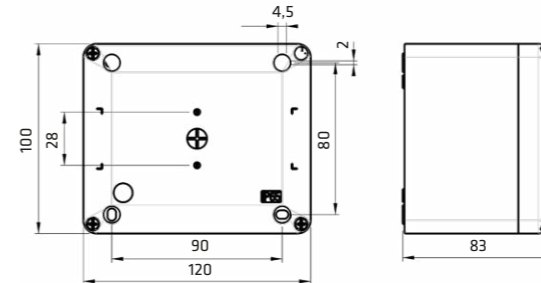


**BF1/2NGO**

IP65 □

- Front knob
- **Dimensions:** 120x100x83 mm
- Black box - grey cover
- Cable entry: 8x knock-out Pg16 (2x on the bottom)

SERIES	WAFER	CODE
P012	Max 3	BF1/2NGO
P016		
P020		

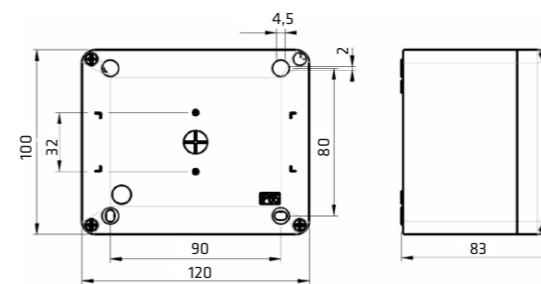


**BF1/6NGO**

IP65 □

- Front knob
- **Dimensions:** 120x100x83 mm
- Black box - grey cover
- Cable entry: 8x knock-out Pg16 (2x on the bottom)

SERIES	WAFER	CODE
C025	Max 2	BF1/6NGO
C032		
C040		

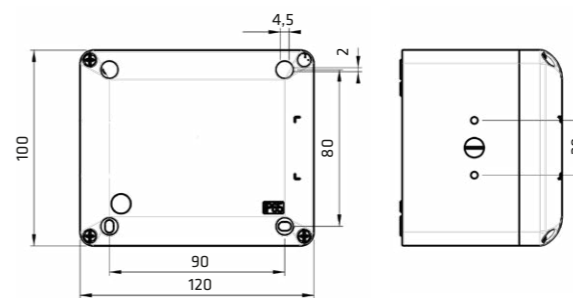


**BL1/ONGO**

IP65 □

- Side knob
- **Dimensions:** 120x100x83 mm
- Black box - grey cover
- Cable entry: 8x knock-out Pg16 (2x on the bottom)

SERIES	WAFER	CODE
P012	Max 6	BL1/ONGO
P016		
P020		



**IP65 THERMOPLASTIC ENCLOSURES**

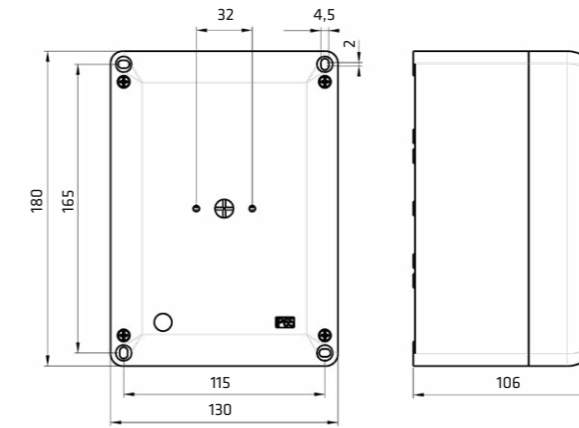


**BF4/GNGO**

IP65 □

- Front knob
- **Dimensions:** 130x180x106 mm
- Black box - grey cover
- Cable entry: 4x knock-out M25/M32 + 2x ø22,5mm closed hole on the bottom.

SERIES	WAFER	CODE
C025	Max 3	BF4/GNGO
C032		
C040		

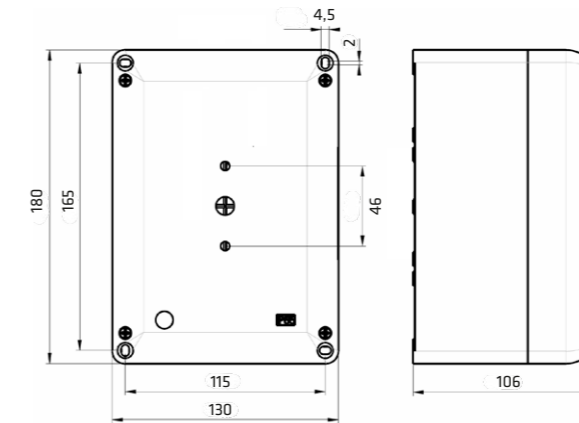


**BF4/HNGO**

IP65 □

- Front knob
- **Dimensions:** 130x180x106 mm
- Black box - grey cover
- Cable entry: 4x knock-out M25/M32 + 2x ø22,5mm closed hole on the bottom.

SERIES	WAFER	CODE
C063	Max 2	BF4/HNGO
C080		



**IP65 ALUMINUM ENCLOSURES**

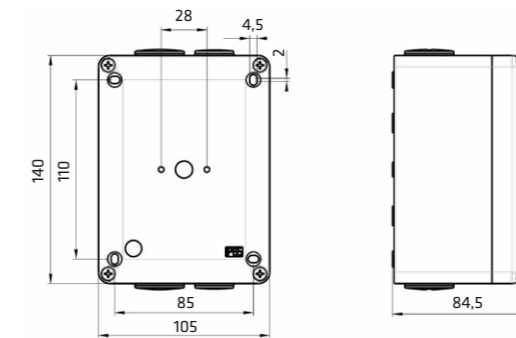


**BFA/ANGO**

IP65

- Front knob
- **Dimensions:** 105x140x85 mm
- Black box - grey cover
- Cable entry: cap 2x M20 +2x M25

SERIES	WAFER	CODE
P012	Max 3	BFA/ANGO
P016		
P020		

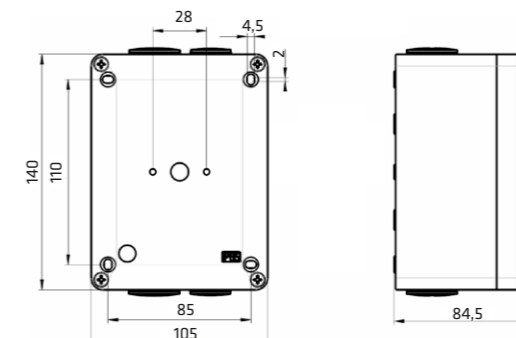


**BFA/BNGO**

IP65

- Front knob
- **Dimensions:** 105x140x85 mm
- Black box - grey cover
- Cable entry: cap 2x M20 +2x M25

SERIES	WAFER	CODE
C025	Max 2	BFA/BNGO
C032		
C040		



**EXECUTION ON DEMAND**

**ORDER FORM FOR SPECIAL SCHEME ON REQUEST**

**SPECIAL SHAFTS**

- Length and shape on request.



**FAST ON CONNECTIONS**

- Flat fast on terminals.
- Single or double terminals.
- P012 ... P020 - C025 ... C040 Series.



**AXIAL INTERLOCK**

- "Push and turn" interlock in several positions.
- C025 ... C040 Series.



**UNDIRECTIONAL ROTATION**

- Unidirectional turn.
- C025 ... C040 Series.



**PE SERIES - LOWERED CAM SWITCHES**

- Only for 12 ... 20A Series.
- Only for few electrical schemes.
- Length 20mm less than an equivalent PO-PX Series.



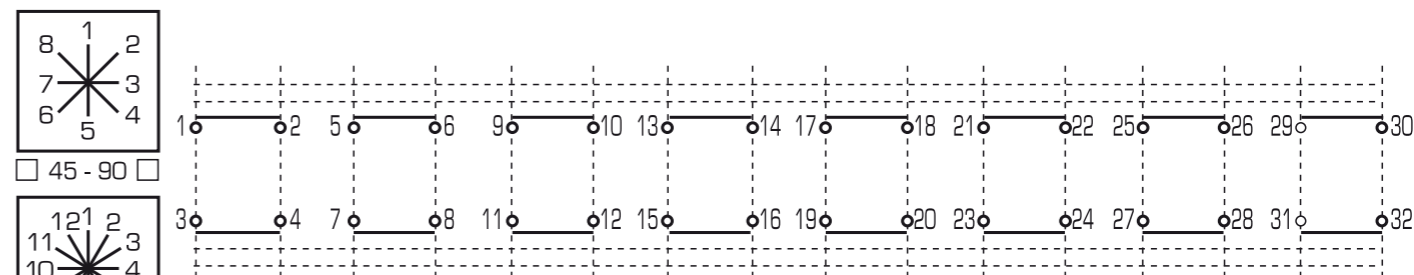
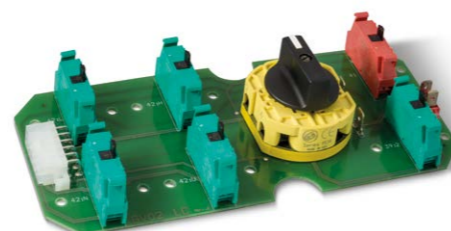
**COAXIAL COUPLING**

- Power Unit + Aux Unit.



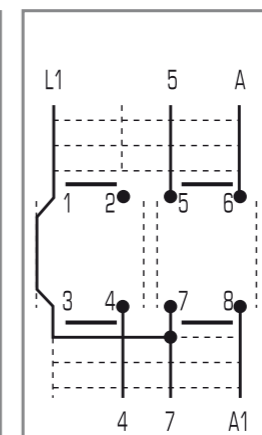
**CAM SWITCH**

- Suitable for PCB connection.
- PATENTED** product.



POS.	DESCRIPTION	POS.	DESCRIPTION
1		7	
2		8	
3		9	
4		10	
5		11	
6		12	

WAFER	CONT.	POSITION
10	39-40	
10	37-38	
9	35-36	
9	33-34	
8	31-32	
8	29-30	
7	27-28	
7	25-26	
6	23-24	
6	21-22	
5	19-20	
5	17-18	
4	15-16	
4	13-14	
3	11-12	
3	9-10	
2	7-8	
2	5-6	
1	3-4	
1	1-2	



WAFER	CONT.	POSITION
2	7-8	X
2	5-6	X X
1	3-4	X X
1	1-2	X

- Open Contact
- Closed contact
- Break before make
- Contact closed: no interruption during changeover
- Spring return
- Make before break
- Open contact early make

Rated current Ie		
Operational rated voltage Ue		
Category	Amp/kw	Volt
<input type="checkbox"/> AC-21A	A	V
<input type="checkbox"/> AC-22A	A	V
<input type="checkbox"/> AC-23A	1Ph kW	V
	3Ph kW	V
<input type="checkbox"/> AC-3	1Ph kW	V
	3Ph kW	V

**Series** \_\_\_\_\_

**Mounting:**

Rear Panel mounting

Base

Din

**Operating:**

\_\_\_\_\_

**Notes:**

\_\_\_\_\_

\_\_\_\_\_

**Company:** \_\_\_\_\_

**Contact person:** \_\_\_\_\_

Phone \_\_\_\_\_

Fax \_\_\_\_\_

E-mail \_\_\_\_\_

Quantity \_\_\_\_\_

Due date \_\_\_\_\_

Order Nr. \_\_\_\_\_